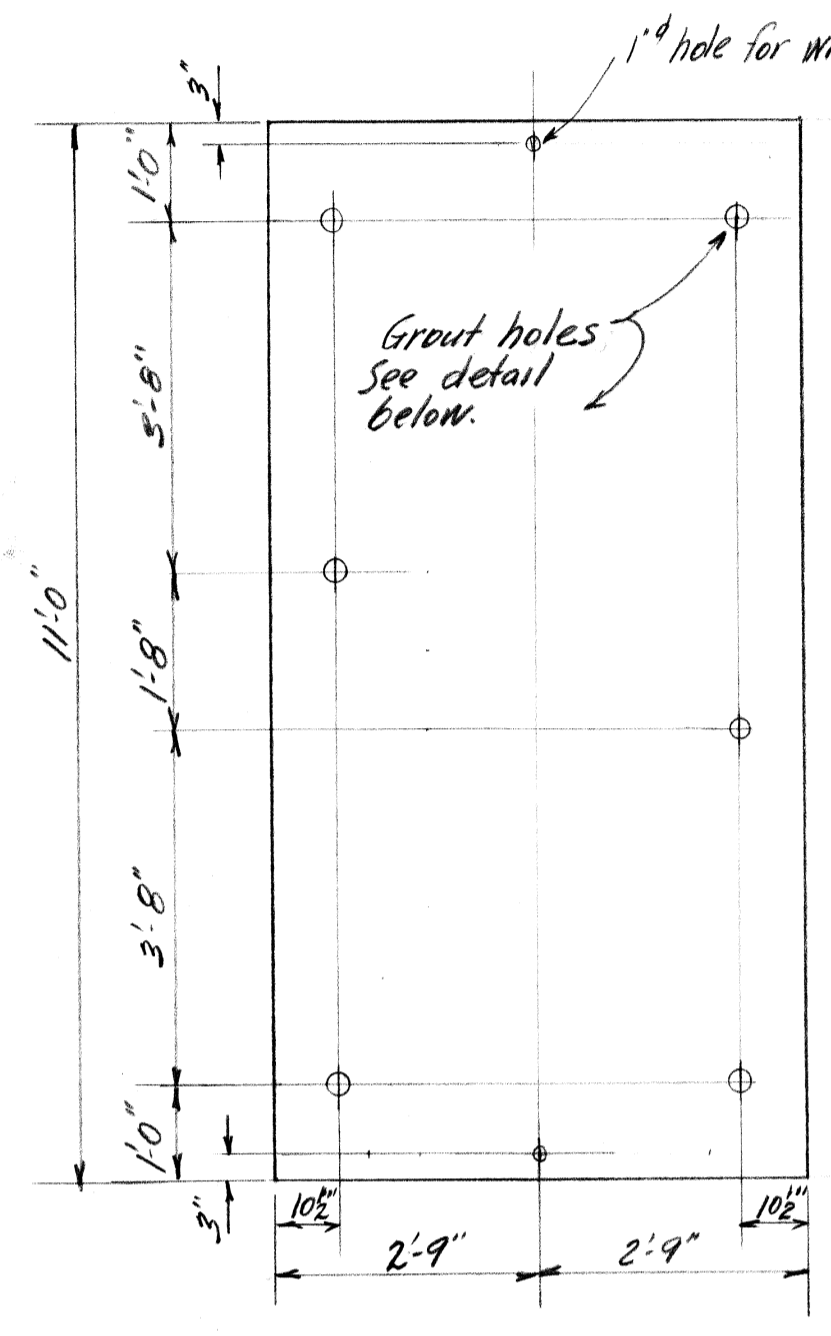
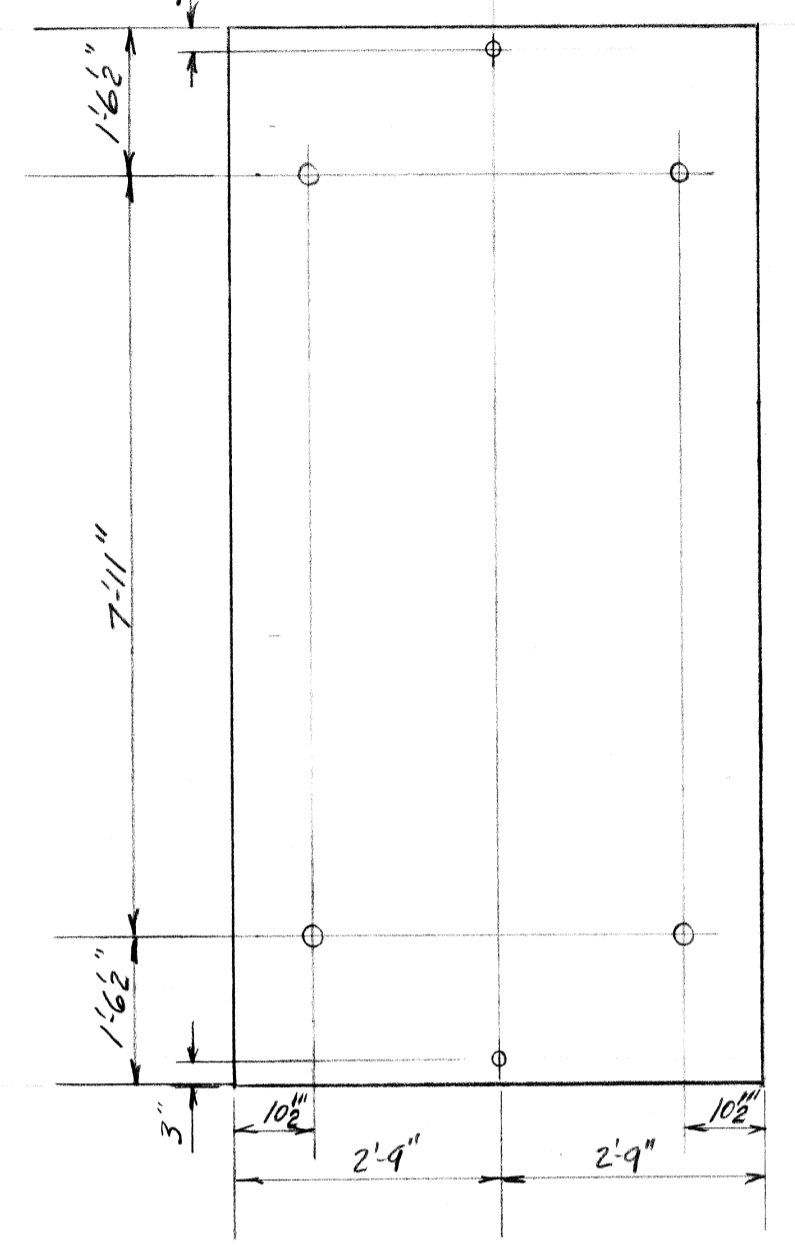


PLAN  
1"=1'-0"

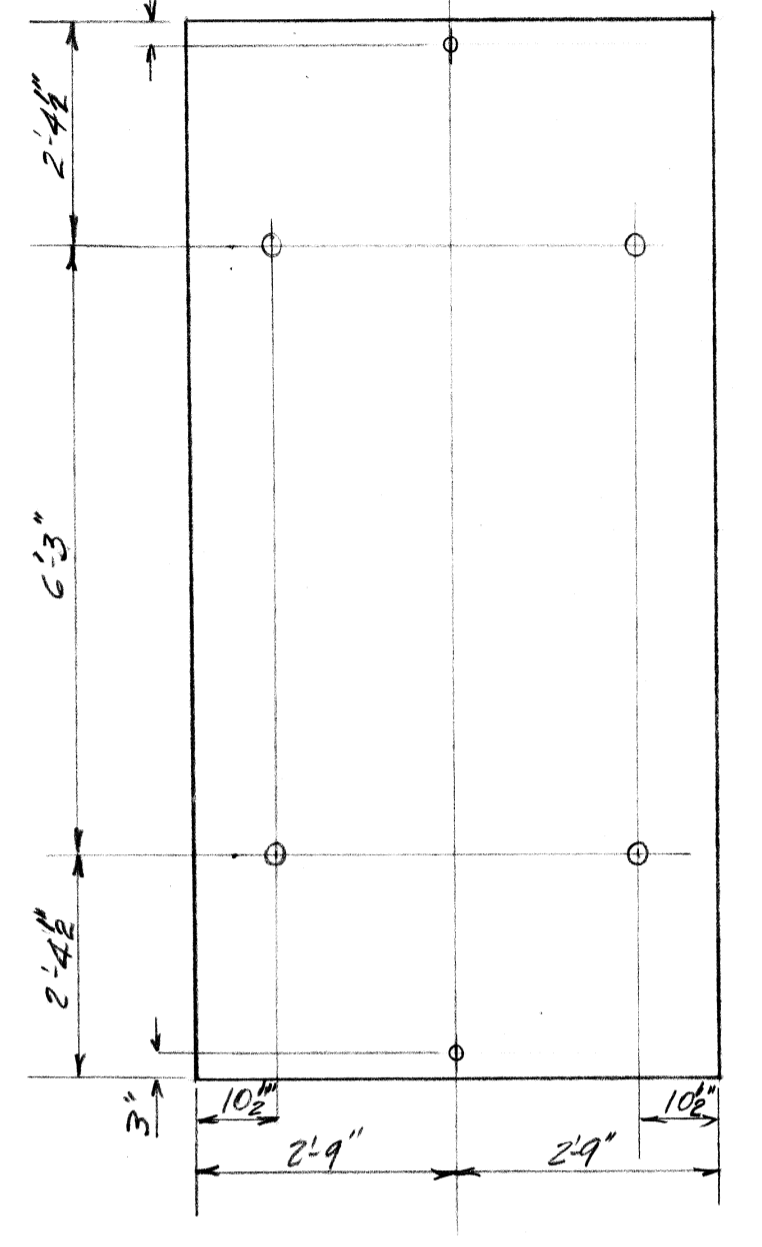
Note: Details shown are typical for all types of unit except for location of grout holes. After cutting strands flush with concrete surface, coat exposed ends with asphalt.



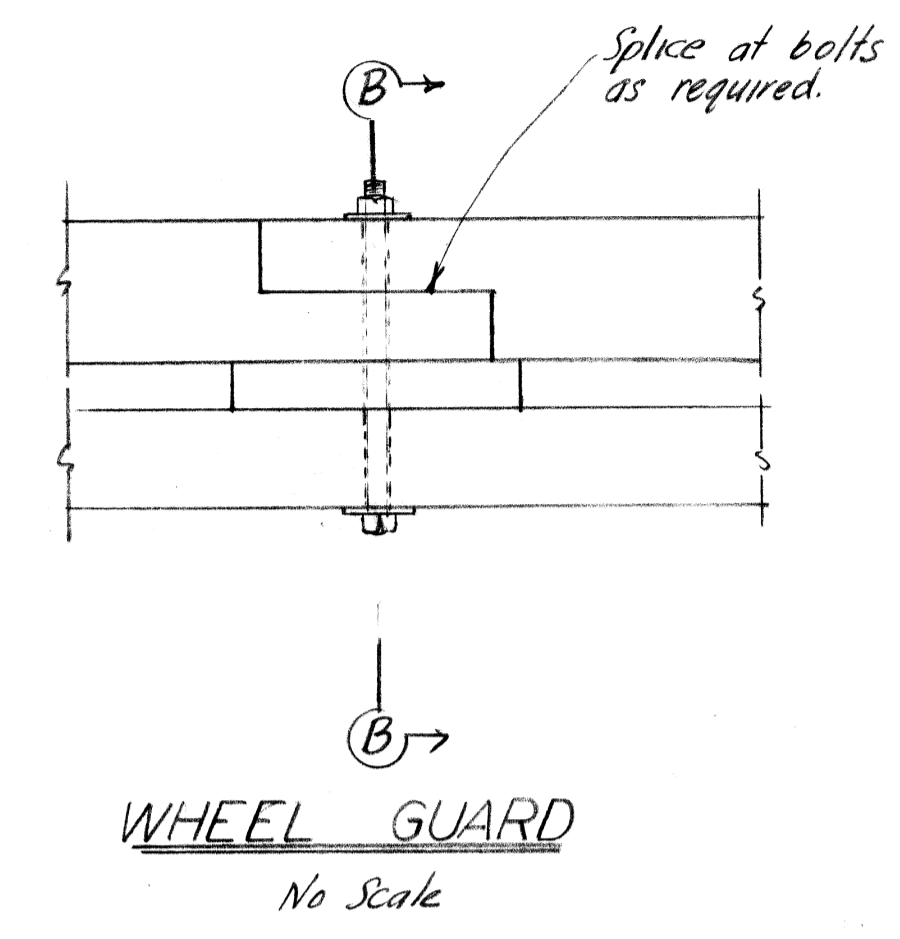
TYPE "A"



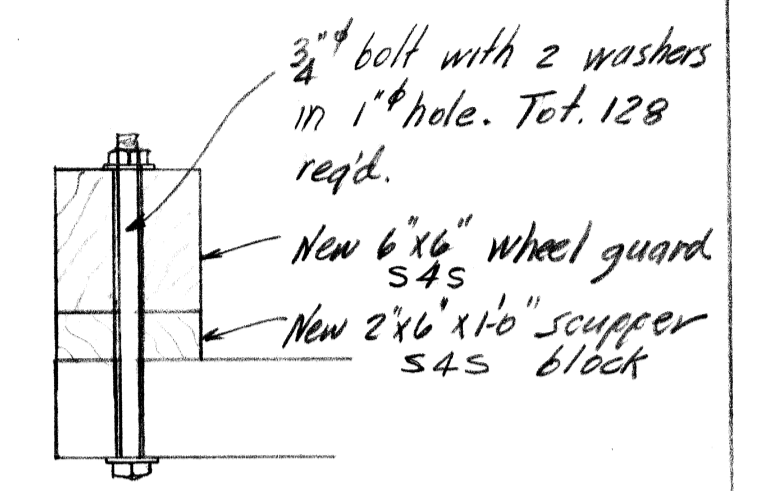
TYPE "B"



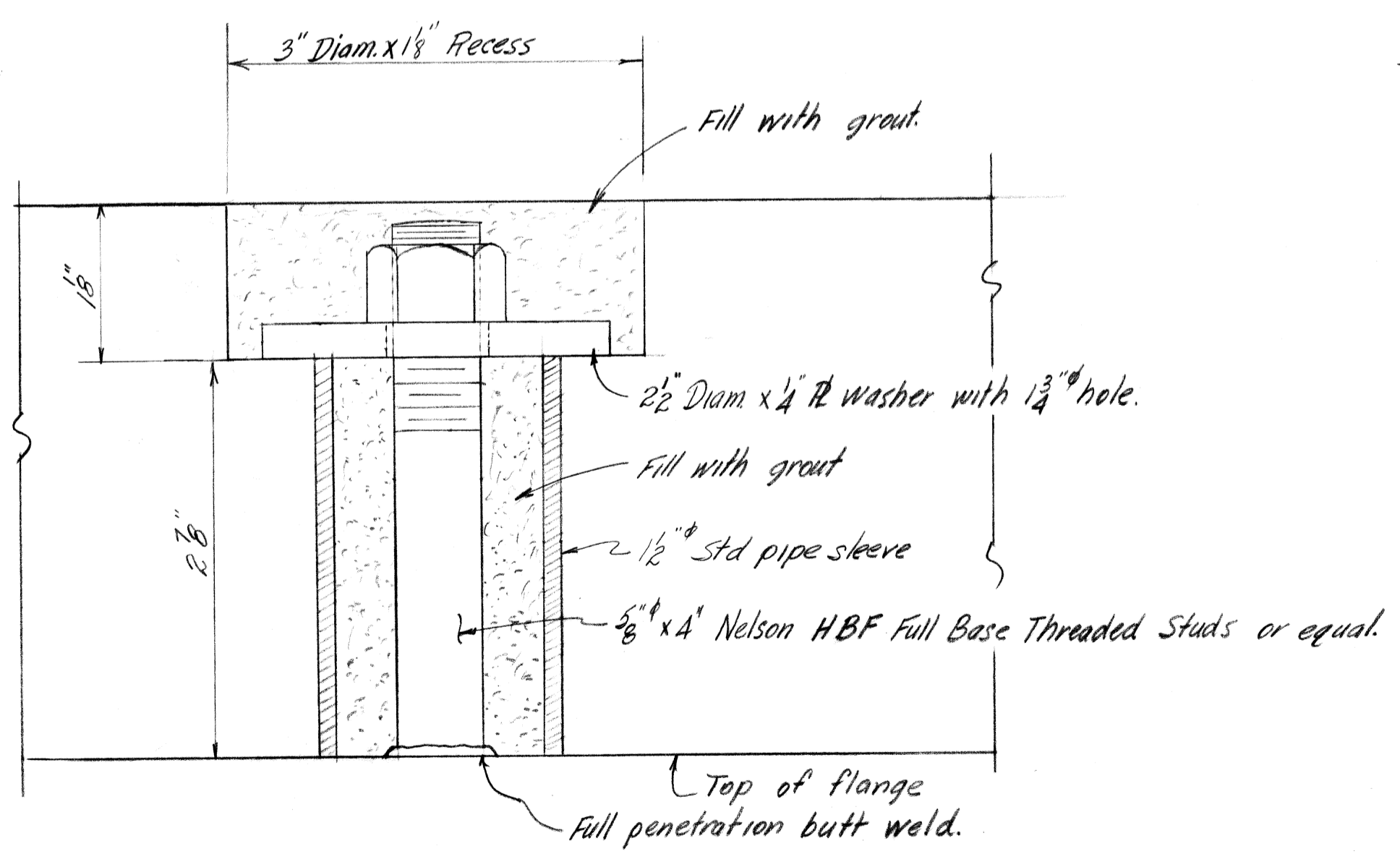
TYPE "C"



WHEEL GUARD  
No Scale

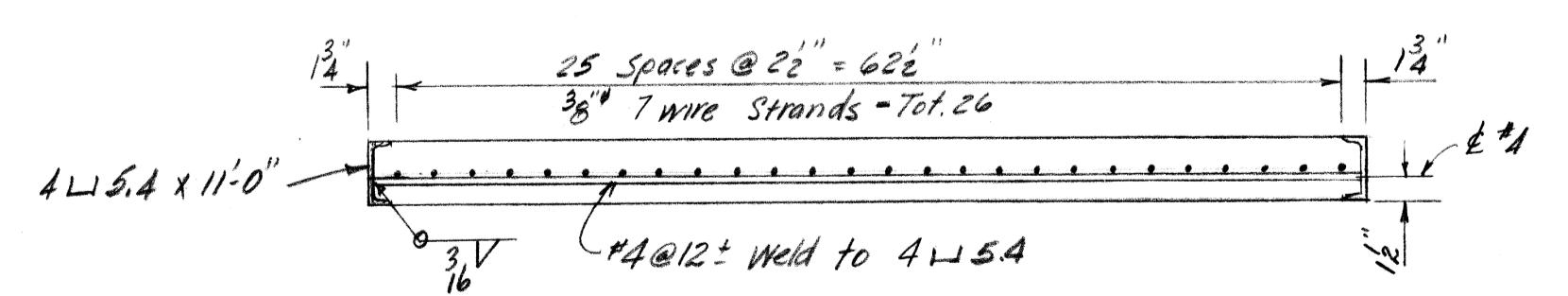


SECTION B-B



GROUT HOLE DETAIL (356 Req'd)  
Full Scale

Note:  
Top surface of deck units to have coarse broom finish.  
Place thin coat of mastic on top flanges of girders and trusses before placing deck units.



SECTION

Note: The 3/8" 7 wire strands shall have an ultimate strength of 220,000 psi and an area of .08 sq. in. Each strand shall be tensioned to 14,000 lbs (175,000 psi.)

COSUMNES RIVER BRIDGE AT MICHIGAN BAR		
REDECKING DETAILS NO. 2		
SACRAMENTO COUNTY ENGINEERS OFFICE		
SHEET NO. 2 OF 3	DATE: 11-24-58	SCALE: As Noted
BRIDGE NO. Pg-12-B-2.80	APPROVED: [Signature] ASST. COUNTY ENGINEER RE. 7740	

UU35 92 43